

MADE FOR MASS PRODUCTION DTG

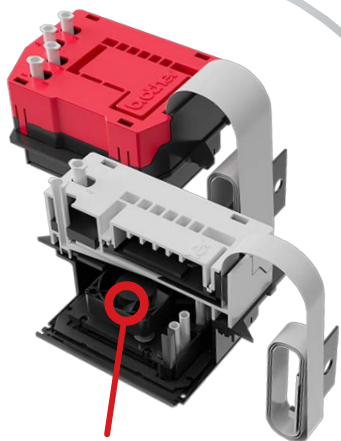




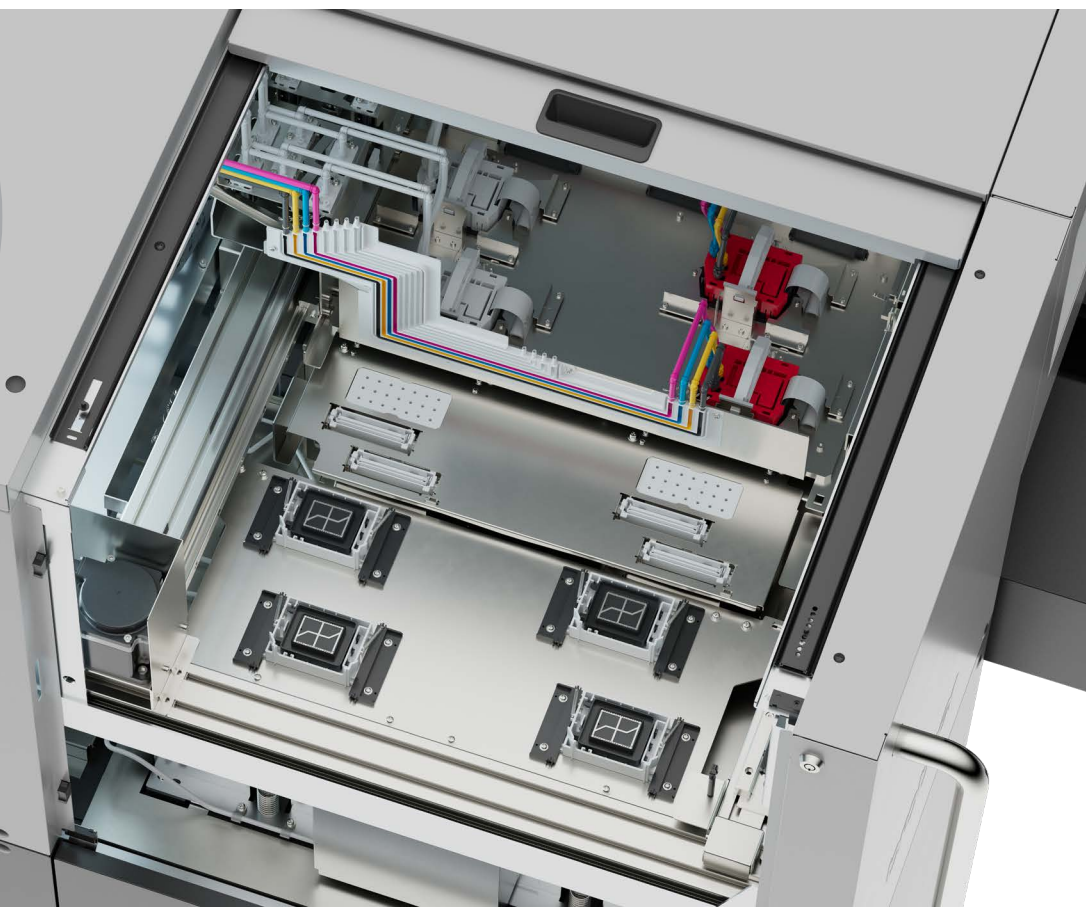
BUILT FOR INDUSTRIAL-LEVEL PERFORMANCE.

Processing mass volumes of decorated garments requires equipment that can meet the dual challenges of high-quality design reproduction and industrial-level activity. The GTX600 delivers on both fronts with vibrant and consistent digital print quality along with a composition that can stand up to the most rigorous manufacturing demands.

- Heavy duty industrial base complete with precision platen transport system
- Advance bulk ink system that filters and degasses all inks
- 5th Generation Brother industrial print heads with 16 total ink channels
- White ink circulation system that recirculates ink in four critical areas
- Built in humidifier to maintain an ideal production environment
- Industrial maintenance station to enable longer runs of continuous operation



Internal fan helps reduce waste ink





OPTIMIZED FOR LOW COST OF OWNERSHIP.



With the new GTX600, you get the highest print quality and achieve an unrivaled total cost of ownership for a mass production DTG printing solution. Our equipment is designed to be flexible for many applications, and priced to help provide quick ROI with a smaller capital investment than other solutions. With a modular base production set up, it is easy to adjust workflow based on business needs.



- DTG equipment pricing that is highly competitive within this business segment
- Scalable capacity to give you the ability to grow on your terms
- Parts with longer life, resulting in less frequent replacement of maintenance parts*
- Bulk ink and consumables manufactured by Brother for greater operational efficiency



Colorants/Textile Auxiliaries
Certified by ECOCERT GREENLIFE S.A.S.
License No. GOTS-ECOCERT-08-00932





ENGINEERED FOR EASY OPERATION.

In today's unpredictable labor market, the ability to keep your equipment running with minimal operator training is key to maintaining profitability. The GTX600 makes that even easier, thanks to operational procedures that are simple to teach and do not require specialized training or advanced skills sets.

- Intelligent platen height system can adjust automatically for optimal printing using Brother provided software
- Print reservation system allows new files to load while the printer is performing a previous function
- Quick-change platen hardware creates flexibility on the fly; print up to 24" x 24"***
- Intuitive controls with familiar push button operations; add an optional touch screen for even easier process control
- Industry leading support through certified Brother technicians and online support resources
- Brother's **At Your Side Warranty** proves we stand behind the integrity of our equipment



THE CORNERSTONE TO A TOTAL DTG SOLUTION

Seamlessly integrate other DTG Equipment for efficiency and scalability. Brother is a singular source for all your equipment needs, thanks to partnerships with complimentary equipment. Establish, upgrade, and support your mass production DTG business with Brother for a one stop support experience.

- Digital Line all-in-one pretreat system pairs with the GTX600 for minimal labor costs and maximum output
- Our relationship with industry partners allows you to equip your process more easily with labor and time saving Automation Tools
- Optional Software Development Kit (SDK) enables web-to-print file creation, barcoding and other production-oriented tasks





DESIGNED TO BE A SUSTAINABLE CENTERPIECE



Feel good about your processes and your products when you build your business around the Brother GTX600 direct to garment printer. All parts have been reviewed for sustainability and optimized where possible to reduce environmental impact. The result is less waste, less pollution and less impact on the environment and your bottom line.

- Mass production maintenance parts engineered to be replaced less frequently
- Built-in mist filter dramatically reduces airborne particles within the printer to protect key components and improve air quality
- Water-based Innobella Textile inks are ECO PASSPORT by OKEO-TEX® certified and CPSIA compliant, and are GOTS 6.0 certified
- Highly efficient large volume ink canisters minimize waste and shipping frequency



Colorants/Textile Auxiliaries
Certified by ECOCERT GREENLIFE S.A.S.
License No. GOTS-ECOCERT-08-00932





GTX600 SPECS

SIZE / WEIGHT / MOVABILITY

- Size with Platen Out - 73.23" x 81.10" x 57.48" (1860mm x 2060mm x 1460mm)
- Approximately 1,609 lbs. (730 kg) Including Platen
- Industrial casters for positioning and leveling pads for stability

NUMBER OF PRINT HEADS / CHANNELS

- 4 Brother manufactured piezo print heads with internal cooling fans
- 16 ink channels (8 white and dual CMYK channels)

AVAILABLE PRINT RESOLUTIONS

- 1200x1200 HQ (High Quality)
- 1200x1200 (Standard)
- 1200x900 (Fast)
- 1200x600 (Draft)

BULK INK DELIVERY SYSTEM

- Advanced bulk system that filters and degasses all waterbased inks (Cyan, Magenta, Yellow, Black and White)

PLATEN TRANSPORT SYSTEM

- AC servo motor with screw driver and solid linear rails
- Electronic platen height adjustment and automation availability
- Dual platen height (high/low) sensors for optimal print height

STANDARD GTX600 PLATEN SIZES (MAXIMUM PRINT SIZE - 24" X 24")

- Adult** - 14" x 16"
- Youth - 10" x 12"
- Baby - 7" x 8"
- Oversized - 16" x 18"
- XL - 18" x 22"
- XXL - 24" x 24"

INDUSTRIAL MAINTENANCE SYSTEM

- Four automatic wet suction caps
- Four wet wiper blade systems

ENVIRONMENTAL PRINT SYSTEM

- Internal thermostat and hygrometer
- Integrated evaporated humidifier to control internal humidity level.
- 6 fans mist gathering system below the platen

ENVIRONMENTAL RECOMMENDATIONS

- Operating Conditions - 64 degree F to 86 degrees F (18 degrees C -30 degrees C), 35%-85% relative humidity
- Standby Conditions - 50 degree F to 95 degrees F (10 degrees C -35 degrees C), 20%-85% relative humidity

ELECTRICAL REQUIREMENTS

- AC 200V-240V, 5 amps, 50/60Hz

CONNECTIVITY

- USB, LAN and File Output
- USB 3.0, LAN (10/100/1000Base-T), USB 3.0 Flash Memory (Under 32GB)

OPERATING SYSTEM

- PC - Windows 10 (64bit)
- Mac - macOS 10.15 Catalina, macOS 11.0 Big Sur

SOFTWARE

- GTX Graphis Lab and GTX600 Print Driver for print file creation
- Software development kit (SDK) for advanced workflow solutions

OPTIONAL ACCESSORIES

- 3 Color Status Light[†]

WARRANTY

- 1 Year or 100,000 Prints from date of installation; 1 Year or 30,000 Prints on Print Heads
- Extended warranty & service packages available



SCAN
TO WATCH
BROTHER
VIDEOS



SCAN
TO WATCH
GET MORE
INFO